
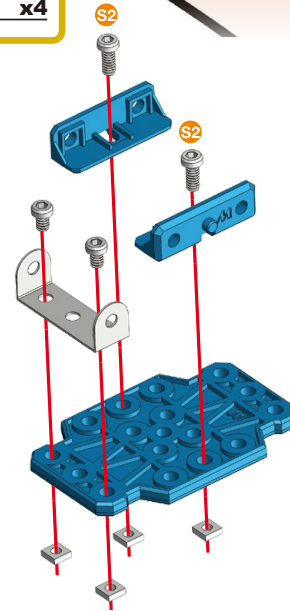
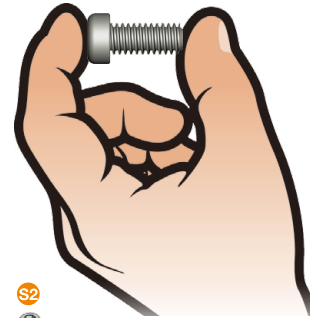


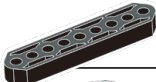




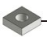
1





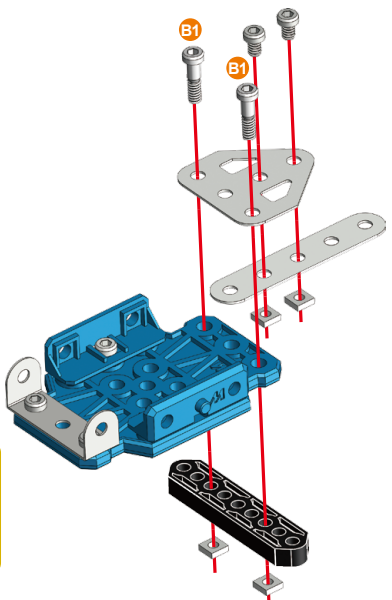
	S1	1:1
	S2	








2



	x1
	x1
	x1
 14,7 mm 37/64"	x2
 5,8 mm 15/64"	x2
	x4

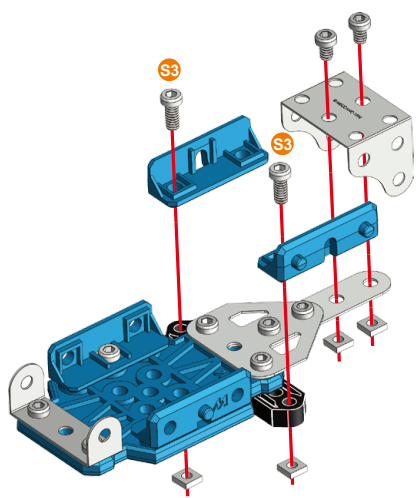
	S1
	B1
1:1	



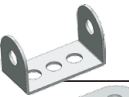




3


	x1
	x2
 12 mm 1/2"	x2
 5,8 mm 15/64"	x2
	x4

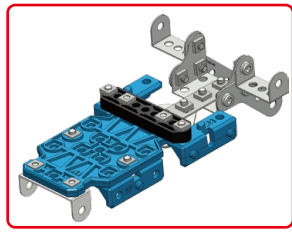
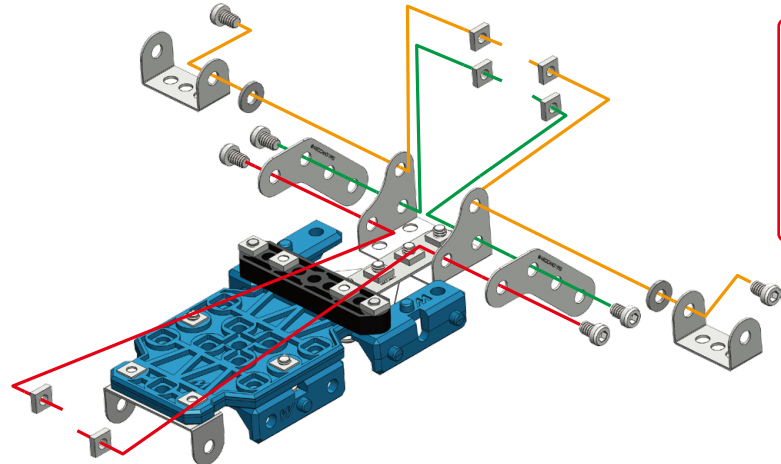
	S1
	S3
1:1	



4

	x2
	x2
 5,8 mm 15/64"	x6
	x2
	x6

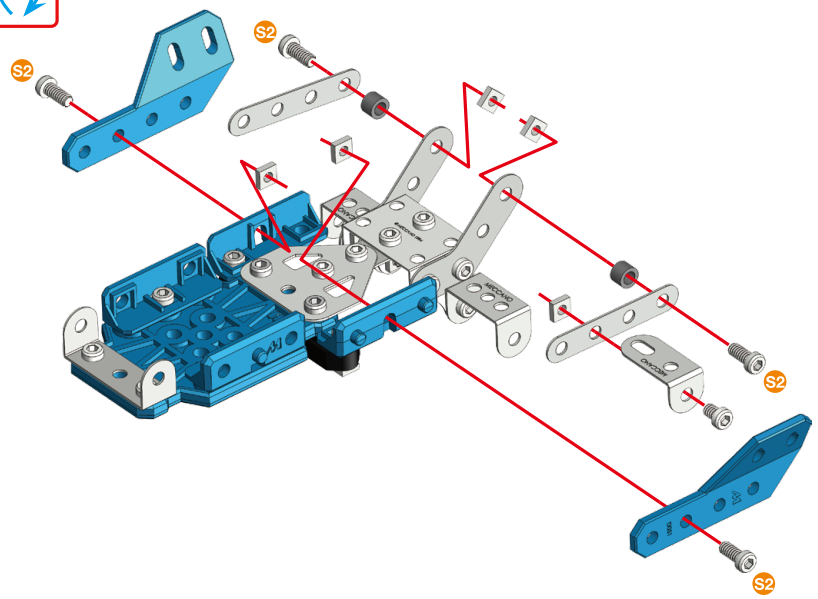
	S1
1:1	



5

	x1		x2
	x1		x4
	x1		x1
	x1		x5
	x1		x2

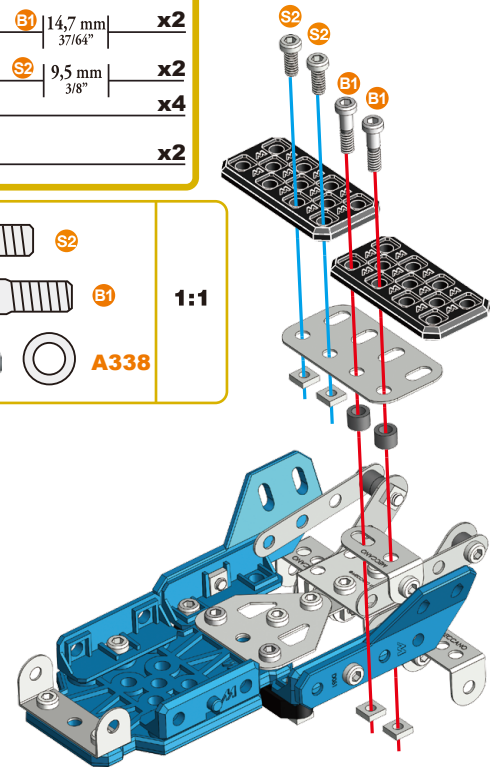
	S1	1:1
	S2	
	A338	



6

	x2
	x1
	x2
	x2
	x4
	x2

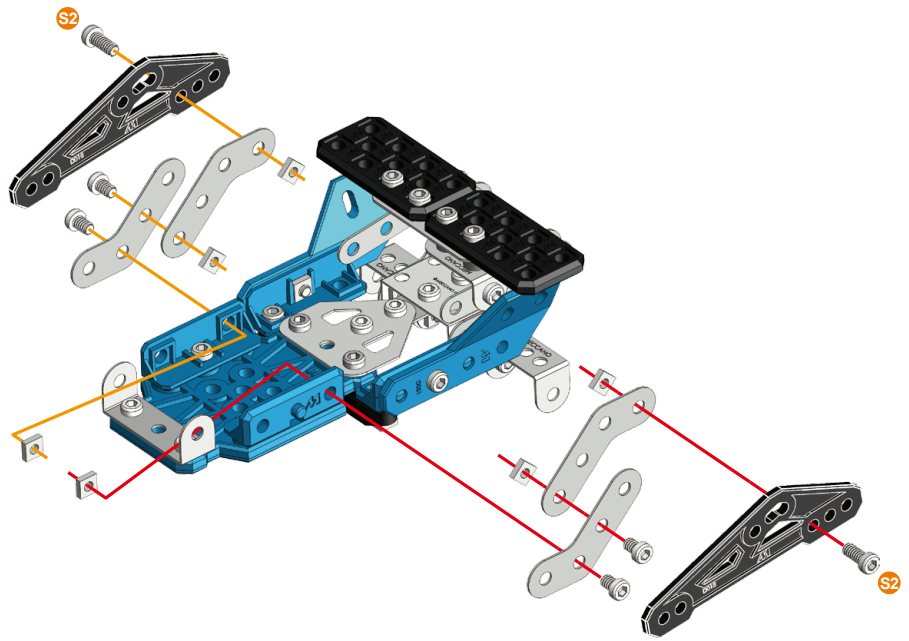
	S2	1:1
	B1	
	A338	



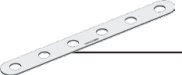


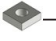
7

	x2
	x4
9,5 mm 3/8"	x2
5,8 mm 15/64"	x4
	x6

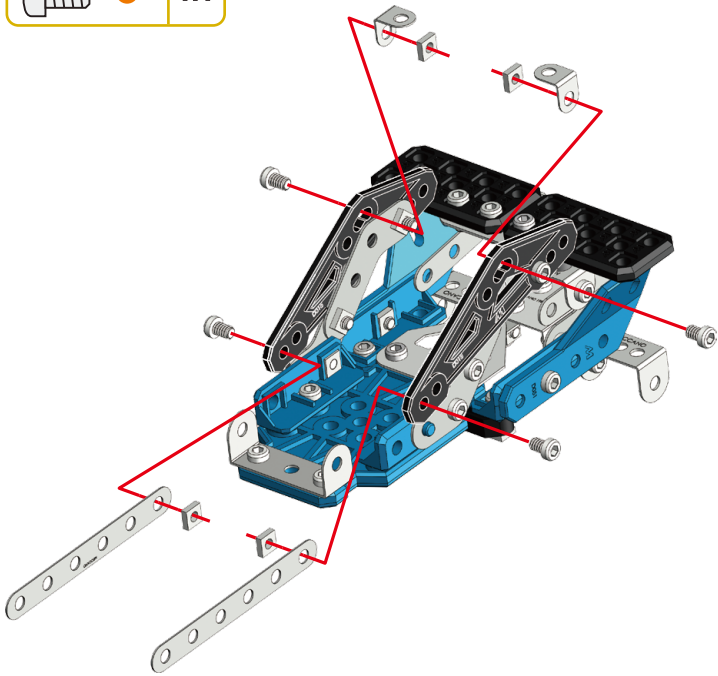
	S1	1:1
	S2	





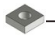
8

-  **x2**
-  **x2**
-  **x4**
-  **x4**

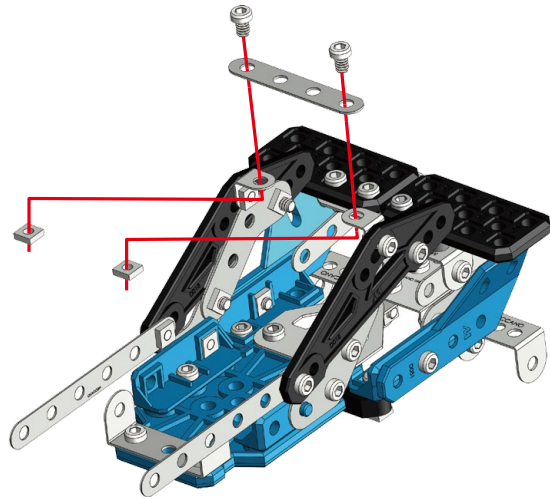
	S1	1:1
-----------------------------------------------------------------------------------	----	------------



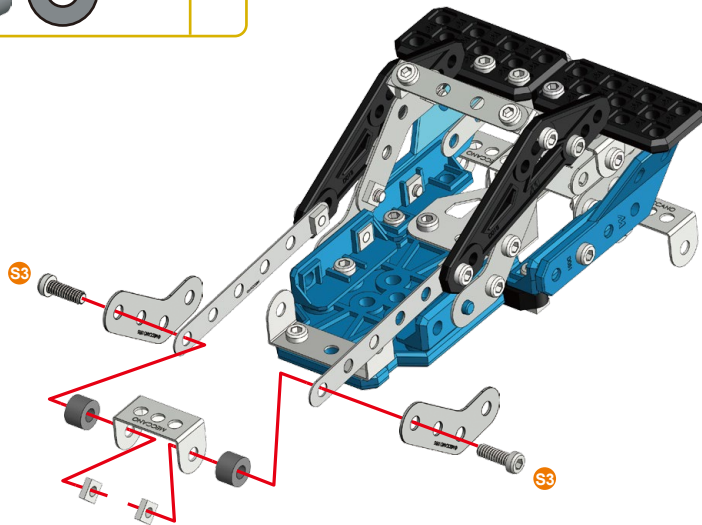
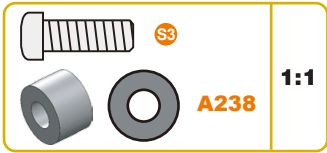
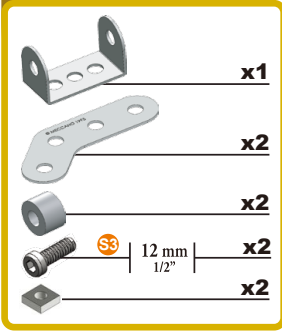
9

-  **x1**
-  **x2**
-  **x2**

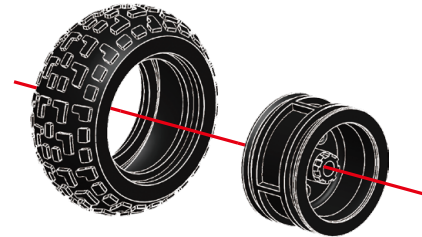
	S1	1:1
-----------------------------------------------------------------------------------	----	------------



10



11



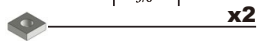
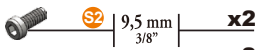
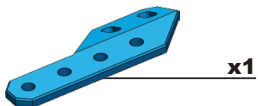
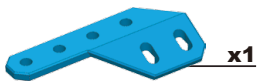
x2



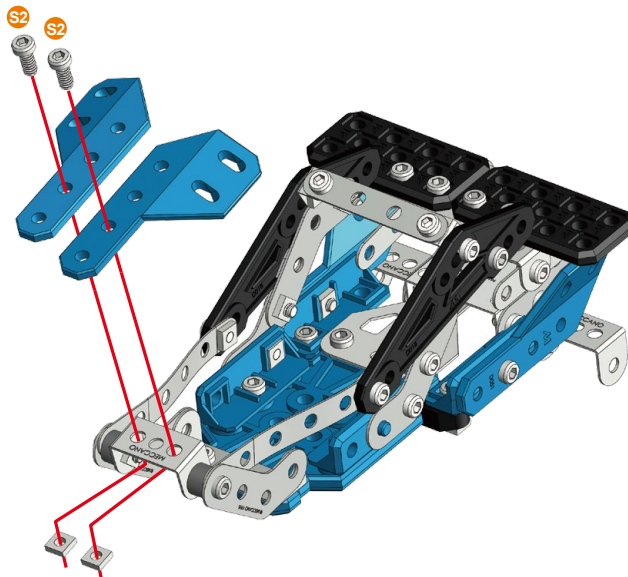
x2



12


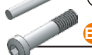

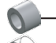




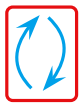
1:1






13

(11) + (12) +

-  115mm | 4 1/2" | **x1**
-  19mm | 3/4" | **x2**
-  **x4**
-  **x2**
-  **x2**
-  **x4**



-  **B2**
-  **A338** **1:1**
-  **A238**

